

Your direct connection to Kögel

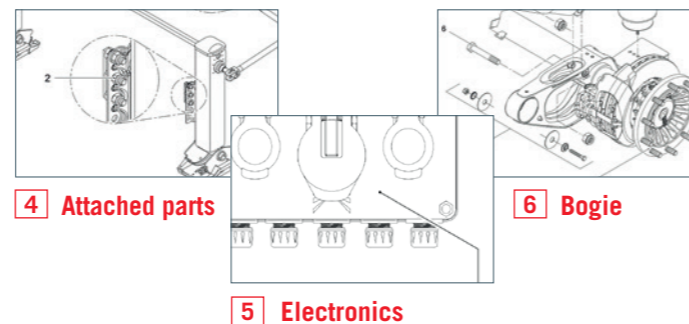
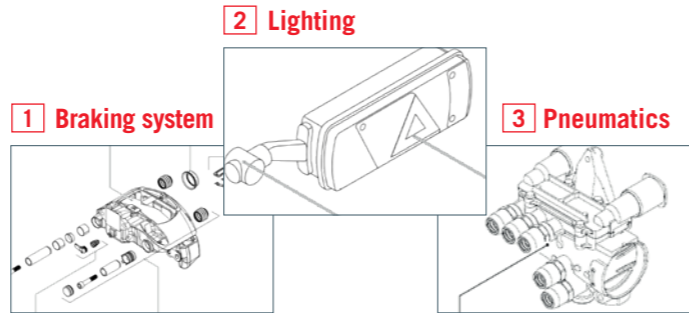
Order the Kögel Full Service package at the same time as your purchase or up to four weeks after delivery of your trailer! Interested in detailed information about the Kögel Full Service package? Your sales adviser will be pleased to help you and draw up your individual offer.

fon: + 49 1805 563435-55*
 fax: +49 731 9454-23494
 mail: fullservice@koegel.com

Kögel Trailer GmbH & Co. KG
 Industriestraße 1 | 89349 Burtenbach | Germany
 fon +49 8285 88-0 | fax +49 8285 88-17905
 info@koegel.com | www.koegel.com

* € 0.14 (incl. VAT) / min. from German land line;
 Max. mobile price: € 0.42 (incl. VAT) / min.

We check for you...



1 Braking system	
<ul style="list-style-type: none"> ▪ Brake discs ▪ Brake pads ▪ EBS modulator ▪ Spring-type cylinder ▪ Brake cylinder 	<ul style="list-style-type: none"> ▪ Brake drum ▪ Brake calliper ▪ Brake line ▪ Brake valves
2 Lighting	
<ul style="list-style-type: none"> ▪ Side Marking lights ▪ Side lights 	<ul style="list-style-type: none"> ▪ Rear lights (not LEDs) ▪ Position lights
3 Pneumatics	
<ul style="list-style-type: none"> ▪ Raise and lower valve ▪ Coupling heads for air, red/yellow 	
4 Attached parts	
<ul style="list-style-type: none"> ▪ King pin ▪ Access ladder, rear 	<ul style="list-style-type: none"> ▪ Landing gear ▪ Fenders
5 Electronics	
<ul style="list-style-type: none"> ▪ EBS connection, front ▪ Socket, 2 x 7-pin 	<ul style="list-style-type: none"> ▪ Socket, 15-pin ▪ Adaptor box, 1 x 15 / 2 x 7
6 Bogie	
<ul style="list-style-type: none"> ▪ Shock absorbers ▪ Wheel bearing 	<ul style="list-style-type: none"> ▪ Air suspension bellows

Kögel Full Service



Kögel Full Service – security on the road at all times!

Competent, reliable and individually adapted to your requirements: Kögel Full Service provides an all-round, hassle-free package for your new trailer. You choose the scope of the Full Service provisions yourself and benefit from attractive monthly rates, a service network with total coverage and 24-hour availability.

The Kögel Full Service Package is based on attractive, fixed, monthly payments over variable contract durations of up to 72 months, giving you ease of calculation and clarity in your finances. If you need help, you have access to some 500 contract workshops in Germany and an additional 400 throughout Europe. You also have around-the-clock access to expert members of our customer service team.



Your benefits at a glance



Mobility

- Regular maintenance
- Lower risk of breakdown
- Replacement of defective and worn parts
- Reliable availability
- approx. 900 service partners in Germany and Europe
- Maintenance or service/general inspection/safety testing, etc. can be performed by any Kögel service partner
- Guaranteed payment in the event of a breakdown



Budgeting accuracy

- Low, fixed monthly instalments
- Fixed running periods/running services
- Planning security
- No additional costs for wear parts



Value stability

- Use of original Kögel spare parts to maintain the vehicle in an excellent condition
- Regular maintenance increases vehicle quality

Kögel Full Service is a service package for all vehicles of the Kögel brand. It can be adapted to your individual requirements. Put your individual package together yourself!

The BasicService package includes:

- All service work prescribed and recommended by Kögel in accordance with the service checklist, including all the necessary spare parts and consumables (except for fuel)
- All repairs required due to wear and tear on the condition that the parts were used and deployed appropriately and for the appropriate purpose
- Accounting control, accounts management and workshop handling

The ProService package includes:

- All services from the BasicService package
- Labour costs, materials costs and acceptance charges for legally required tests: Roadworthiness test and safety assessment in accordance with §29 Road Traffic Regulations (StVZO) at licensed testing organisations, e.g. TÜV, DEKRA, GTÜ, and annual LASI check of the load-securing certificate in accordance with EN 12642 – XL.

The optional, additional services for both packages include the following:

Service options:

- Tailgate lift service
- Roller door service
- Tyre service

Refrigeration unit service options:

- Refrigeration unit maintenance to manufacturer specifications
- Calibration temperature recorder
- Repair temperature recorder
- Vaporiser cleaning
- Mobility
- Leak test

