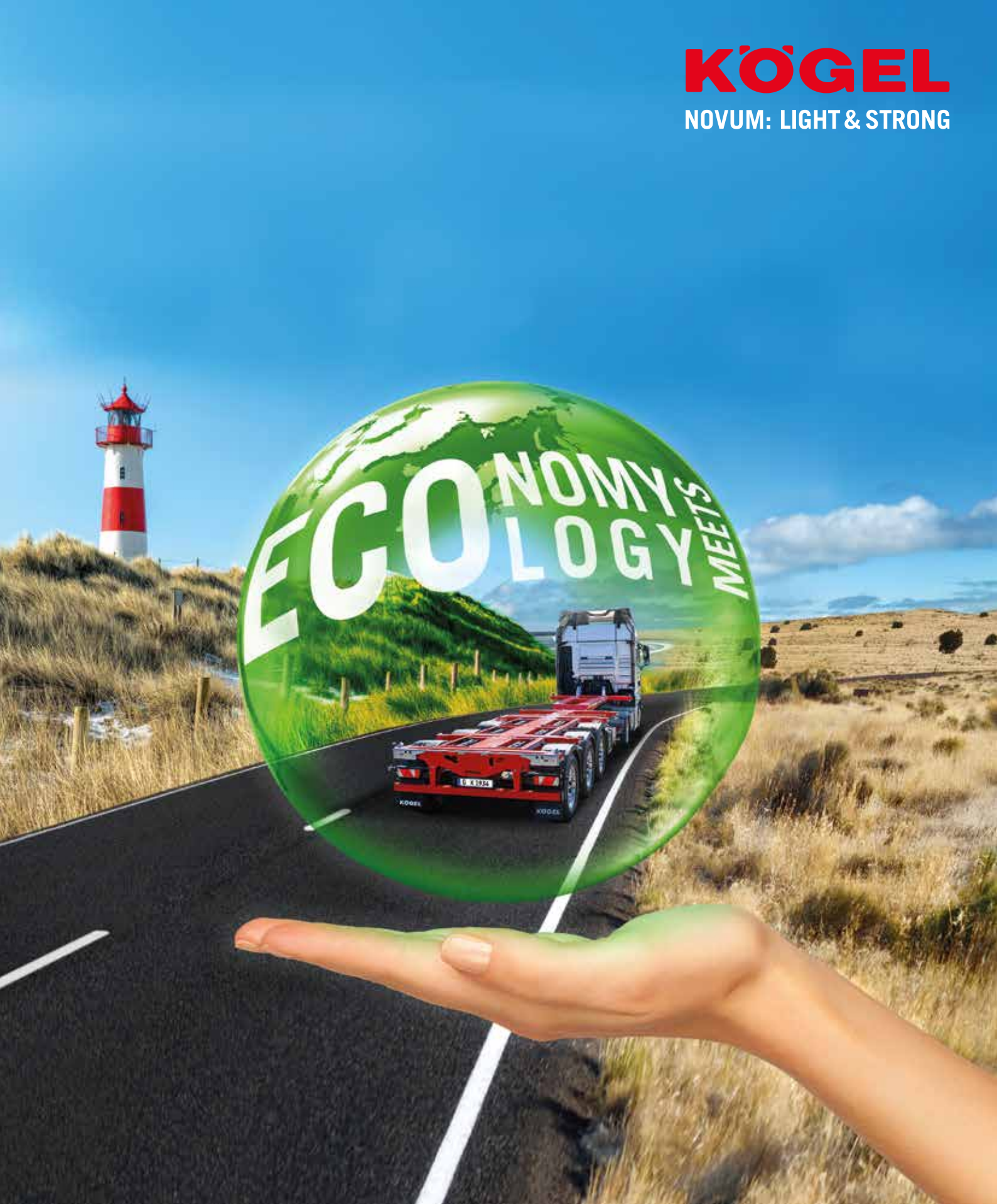


KÖGEL

NOVUM: LIGHT & STRONG



KÖGEL CONTAINER CHASSIS

PASSIONEERING FOR OUR CUSTOMERS

What could be more exciting than the transport sector? The future of the transport sector! Based on experience, we believe that profitability needs to be rethought again and again in order to be optimised. That's why we dedicate all our passion and energy to doing so. The competitive pressure on you, our customer, is constantly growing. We want to take some of this pressure off. Our commitment goes beyond the daily transport of goods with our innovative trailers. A close, collaborative partnership with you is the source of all innovation. Only then can we quickly identify your changing needs and requirements – and get the right solutions on the road. That's where German engineering comes in, which we have loyally practised for over 80 years. This includes our commitment to uncompromising quality and our dedicated, professional team.

From practice to theory, to the plan and back into practice. Passioneeering never stops!

All your challenges feed directly into the development of our trailers. We subject our innovations to intensive testing, far beyond the usual requirements. Extreme driving manoeuvres, heavy loads, poor road surfaces, rain, ice, snow and scorching sun – our trailers have to withstand it all without a hitch. Only then are we satisfied – for now, at least. And only then can we be sure that you too, our discerning customer, are satisfied with our trailers. But the end of every development process is only the beginning of something new. After all, everything we do is with the future of the transport sector in mind. And we have dedicated all our passion and energy to it!

Find out more about passioneeering and our exceptional quality standards at
www.koegel.com

OVERVIEW OF THE KÖGEL

PORT PRODUCT RANGES ...	3	CONTAINER CHASSIS	5	PORT 20 TANKPLEX	6
PORT SIMPLEX 40	7	PORT SIMPLEX 45	8	PORT 45 DUPLEX	9
PORT 45 TRIPLEX	10	PORT 45	11	MCS –	
YOUR BENEFITS:				MULTI-CONTAINER	
QUALITY.....	13			STOP	12

OVERVIEW OF THE KÖGEL PORT PRODUCT RANGES

Page 6



Kögel Port 20 Tankplex

20-foot ISO container
20-foot, 23-foot & 25-foot tank container
C715, C745, C782

Page 7



Kögel Port 40 Simplex (rear extension)

1 x 20-foot ISO flush with rear
2 x 20-foot ISO
1 x 30-foot ISO flush with rear
1 x 40-foot High-Cube

Optional: 1 x 20-foot ISO centred
Optional: 1 x 40-foot ISO

Page 8



Kögel Port 45 Simplex (rear extension)

1 x 20-foot ISO centred
1 x 20-foot ISO flush with rear
2 x 20-foot ISO
1 x 30-foot ISO flush with rear
1 x 40-foot High-Cube
1 x 45-foot High-Cube

Optional: 1 x 40/45-foot ISO

Page 9



Kögel Port 45 Duplex (front and rear extension)

1 x 20-foot ISO centred
1 x 20-foot ISO flush with rear
2 x 20-foot ISO
1 x 30-foot ISO flush with rear
1 x 40-foot High-Cube
1 x 45-foot High-Cube

Optional: 1 x 40/45-foot ISO

Page 10



Kögel Port 45 Triplex (front, centre and rear extension)

1 x 20-foot ISO flush with rear
2 x 20-foot ISO
1 x 30-foot ISO flush with rear
1 x 40-foot High-Cube
1 x 45-foot High-Cube

Optional: 1 x 20-foot ISO centred
Optional: 1 x 40/45-foot ISO

Page 11



Kögel Port 45

1 x 40-foot High-Cube
1 x 45-foot High-Cube EURO corner
1 x swap body with long tunnel, 13.72 m in length (tunnel at least 3,675 mm)

KÖGEL PORT

TRIPLE IS THE NEW EASILY MOVABLE.
BECAUSE WE CARE!



Features:

- ✓ **Extraordinary robustness**
- ✓ **Numerous available variants**
- ✓ **High payload**

KÖGEL CONTAINER CHASSIS

The long-distance transport of goods in containers continues to increase every year. The containers start their mostly international journey on ships and trains. In order to make the transport economical, the permissible payload of the container is exhausted. Therefore, special vehicles have been developed for the transport of containers in order to ensure compliance with the permissible weights and dimensions in road traffic despite the different container types. Regardless of whether you specialise in certain types of containers or depend on being able to transport all kinds of standardised containers, Kögel has the right trailer for your business needs.

Meet the container chassis in a class of its own

With a robust frame construction and a high-quality finish, the Kögel Port product range offers ultimate stability and safety. The container semi-trailers can carry heavy loads and, depending on the individual design, can be used flexibly in combined transport – the ideal container chassis for containers of different sizes.

The container chassis that emphasise flexibility

The Kögel Port are equipped to deal with every transport job. Discover your optimal freight solution for containers: with rear extension (Simplex), with front and rear extension (Duplex) or with front, rear and centre extension (Triplex)

KÖGEL PORT 20 TANKPLEX



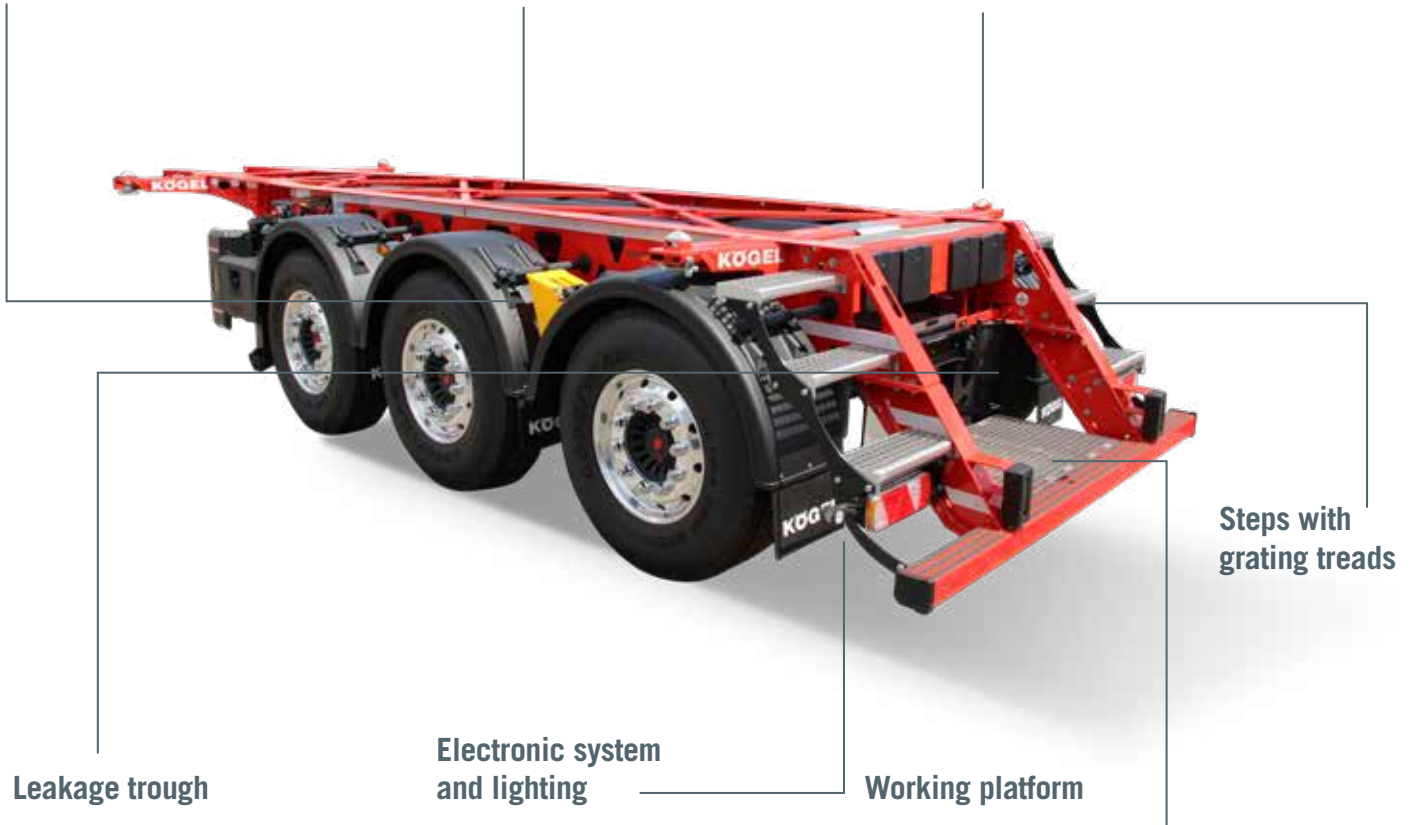
Control console



Stowage for hose pipes



Locking mechanism



Steps with grating treads

Leakage trough

Electronic system and lighting

Working platform



Tare weight from: 3,090 kg

20-foot ISO | 20, 23 & 25-foot tank container | C715, C745, C782 swap body

KÖGEL PORT 40 SIMPLEX



Fixed front carrier

Connections for air and electrics protected against environmental influences.



Brake and air suspension system control console



Easily accessible operating controls.

Pneumatic rear extension



Safe and convenient operation of the rear extension.

Tare weight from: 4,430 kg

20-foot ISO, 30-foot ISO, 40-foot ISO and High-Cube

KÖGEL PORT 45 SIMPLEX



Insertable front carriers

Positions for 40' and 45' containers.



Brake and air suspension system control console



Easily accessible operating controls.

Pneumatic rear extension



Tare weight from: 5,050 kg

20-foot ISO, 30-foot ISO, 40-foot ISO and High-Cube, 45-foot ISO and High-Cube

KÖGEL PORT 45 DUPLEX



Air and light console

The air and light console is housed in a protective recess in the front extension, significantly increasing the free space around the tractor unit connection cables.



Front extension

Easy and convenient handling thanks to the tried-and-tested, six-fold ball-bearing, one-piece front extension without any elaborate and repair-prone mechanical components.



Brake and air suspension system control console



Easily accessible operating controls.

Pneumatic rear extension



Tare weight from: 4,940 kg

20-foot ISO, 30-foot ISO, 40-foot ISO and High-Cube, 45-foot ISO and High-Cube

KÖGEL PORT 45 TRIPLEX



Air and light console

The air and light console is housed in a protective recess in the front extension, significantly increasing the free space around the tractor unit connection cables.



Front extension

Easy and convenient handling thanks to a newly developed six-ball bearing, one-piece front extension without any elaborate and repair-prone mechanical components.



Plug welds

High-quality and stable welding work that you can see.



Control console Centre extension



For a longer lifespan, the centre extension (extendible to four different positions) features a low-maintenance guide on special plastic sliders and two extension rollers.

Elliptical lightweight perforation



For optimum stress distribution.

Hand crank on manual rear extension



Adjustable to one of a total of seven possible positions.

Tare weight from: 4,335 kg

**20-foot ISO, 30-foot ISO, 40-foot ISO and High-Cube,
45-foot ISO and High-Cube**

KÖGEL PORT 45



Insertable front carriers

Two positions on the frame to hold 45' High-Cube EURO corner or 40' High-Cube.



Brake and air suspension system control console



Insertable front carriers



Tare weight from: 4,030 kg

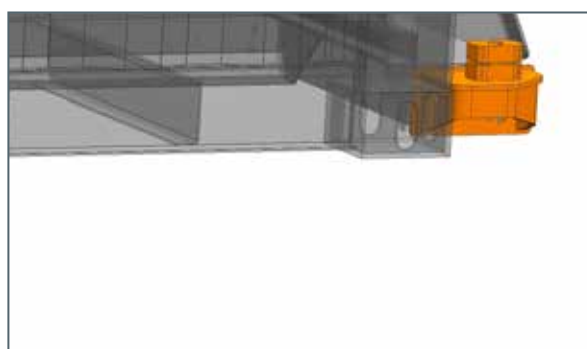
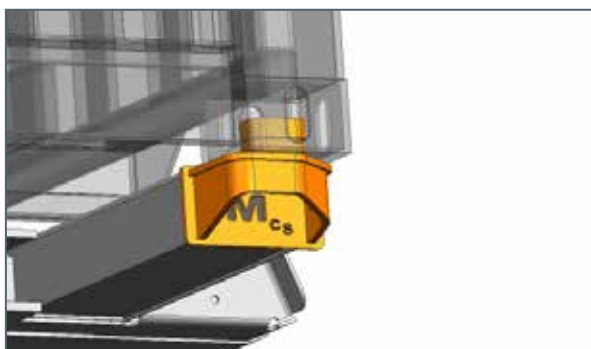
40-foot High-Cube, 45-foot High-Cube EURO corner, 13.72-m-long swap body

MCS – MULTI-CONTAINER STOP

Kögel has revolutionised the mounting of containers on trailers and the transport of containers by road with the Multi-Container Stop (MCS).

Various tests carried out in conjunction with officially recognized experts have confirmed what was already an ingenious idea on the drawing board: the locks on the front have been omitted and the load is secured there via positive locking, the best type of load securing according to DIN EN 12642.

Operation of the Kögel MCS is intuitive, and its use self-explanatory – you have never secured a container on a trailer so easily and quickly.



THE KÖGEL QUALITY PROMISE

Kögel Assistance 24h Hotline
00800 8285 88-88



Safety

Complex components guarantee a high degree of active and passive safety: specially developed panelling elements on the frame for improved aerodynamics, underride guard compliant with the new EC Directive, standard load-securing as per EN 12642 XL, RSS for greater driving stability and safety-optimised height adjustment valve (lifting roof with BG support). Kögel trailers also have outstanding trailing characteristics.



Electronic system and lighting

EBS is fitted as standard. Full LED lighting is available to provide a long life and minimise power consumption.



Underride guard

All Kögel trailers are equipped with a reinforced underride guard, which significantly increases passive safety in road transport and conforms to EU Directive UN/ECE-R 58.

Light carrier

The light carrier is made of impact-resistant plastic and guarantees 100% corrosion protection. It can be installed and replaced separately.



Corrosion protection

Nano-ceramic technology plus cathodic dip-paint coating, the most modern and highest quality industrial surface treatment on the market provides the same outstanding properties as the coating previously applied using zinc phosphate, but it is more environmentally friendly and provides a better energy balance. The durable, clean surface coating can be repainted at any time.



Service

Visit www.koegel.com to take advantage of our comprehensive range of services at any time, from anywhere. Repair and warranty services can be managed conveniently online. Our Kögel Hotline Assistance is available around the clock in many European languages.



Extensive tests

All trailer components are inspected to the highest standards during static and dynamic tests.



Frame construction

A robust yet lightweight frame, consisting of two longitudinal beams with additional cross reinforcements and container interlocks, ensures an optimised payload ratio and a durable trailer.



Environmental protection and sustainability

Kögel trailers make an active contribution to reducing fuel consumption and environmental pollution: The aerodynamics are optimised, structural noise emissions are reduced and strict guidelines are observed during production to protect the environment and ensure that the materials used can be recycled.



Load-securing and body stability

Kögel fulfils all stability requirements for reinforced bodies according to EN 12642 XL. Securing the load on trailers with this certificate is very simple: With a form-locked load secured to the rear, the body absorbs all forces arising from the driving dynamics in accordance with VDI 2700.

KÖGEL

Kögel Trailer GmbH | Am Kögel-Werk 1 | 89349 Burtenbach | Germany
Tel +49 8285 88-0 | Fax +49 8285 88-17905 | info@koegel.com
www.koegel.com

Safety note! The trailer may only be used subject to express compliance with all road traffic, employers' liability insurance association and load-securing technology regulations.
No liability can be accepted for errors or omissions. We reserve the right to make technical changes. Printed in Germany. Reprinting not permitted 01/22. Order No.: 100-1103-EN